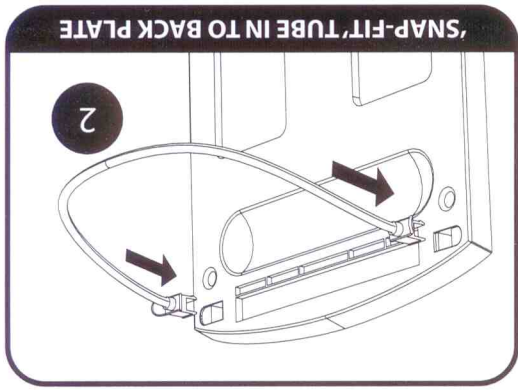
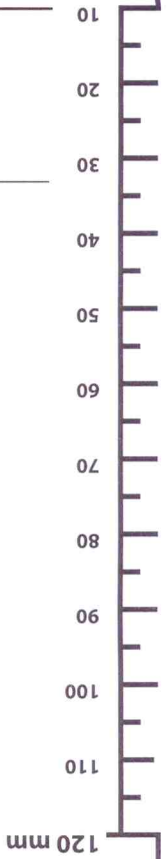
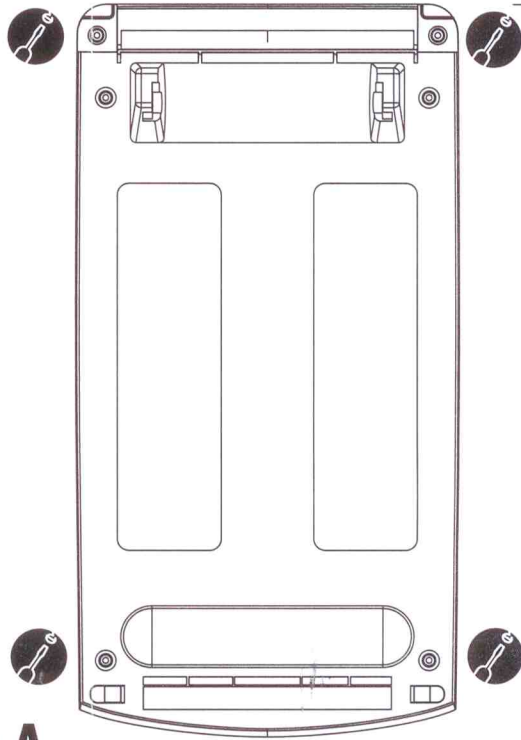


Wall mounting

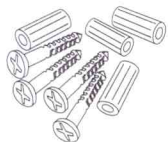
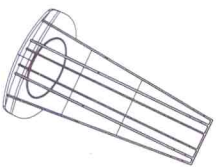
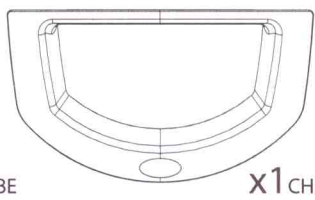
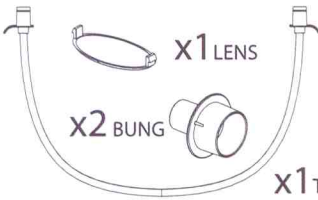
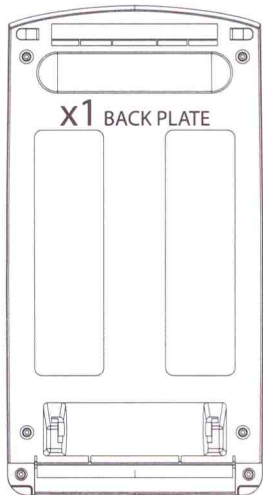


Floor level

CORRECT INSTALLATION HEIGHT



1



PARTS LIST

Wastecare[®]

Wall mounted waste paper bin

