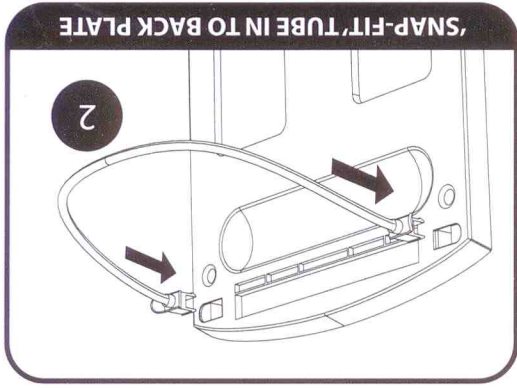


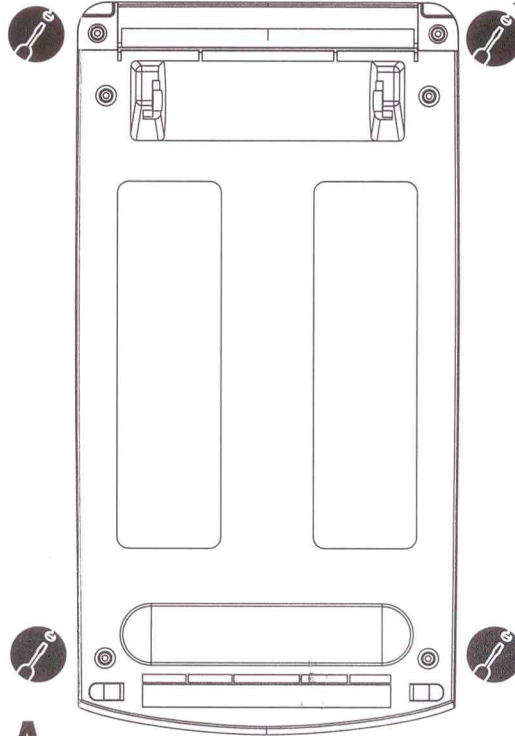
Wall mounting



SNAP-FIT TUBE IN TO BACK PLATE

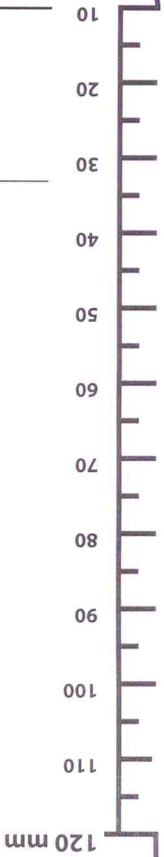
Floor level

CORRECT INSTALLATION HEIGHT



120 mm

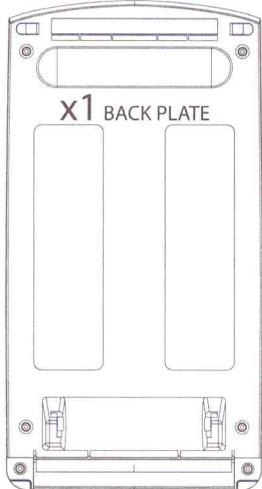
120 mm



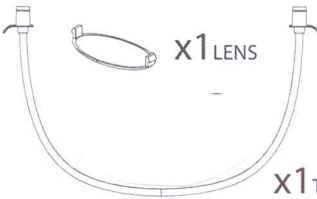
1



X1 FRONT COVER

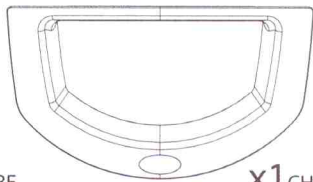


X1 BACK PLATE

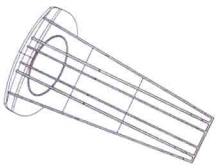


X1 LENS

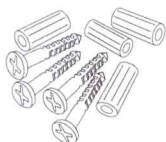
X1 TUBE



X1 CHUTE



X1 COMPACTOR

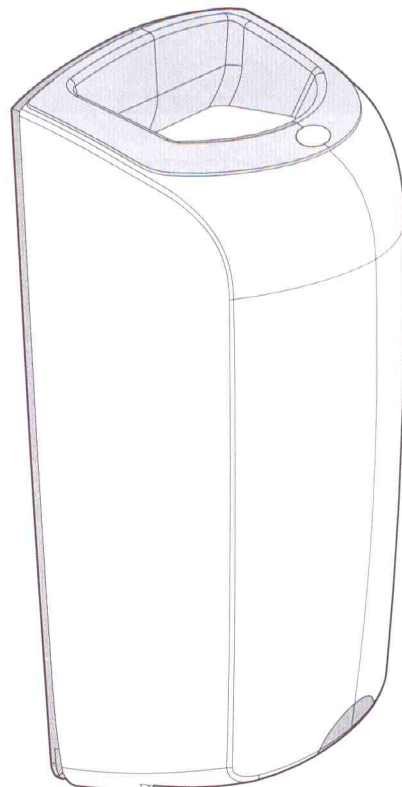


X4 SCREWS/PLUGS

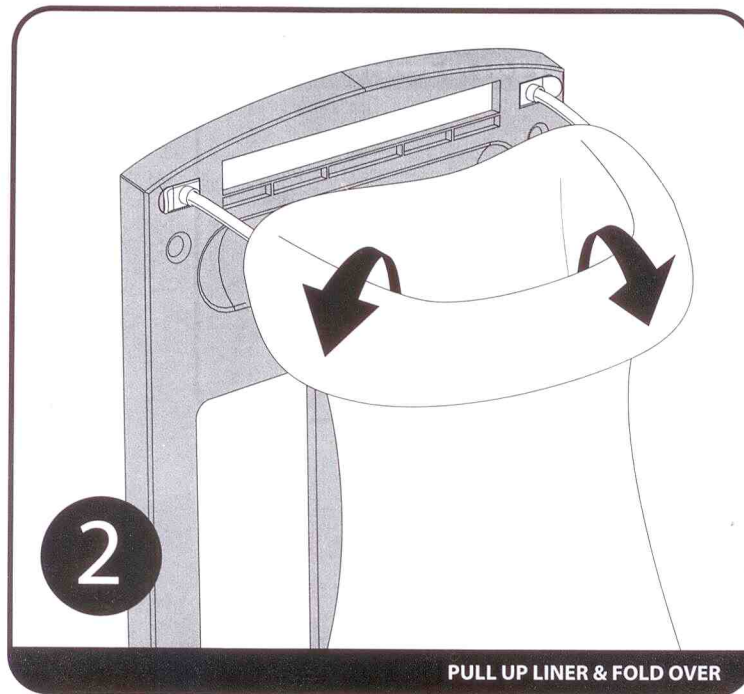
PARTS LIST

Wastecare®

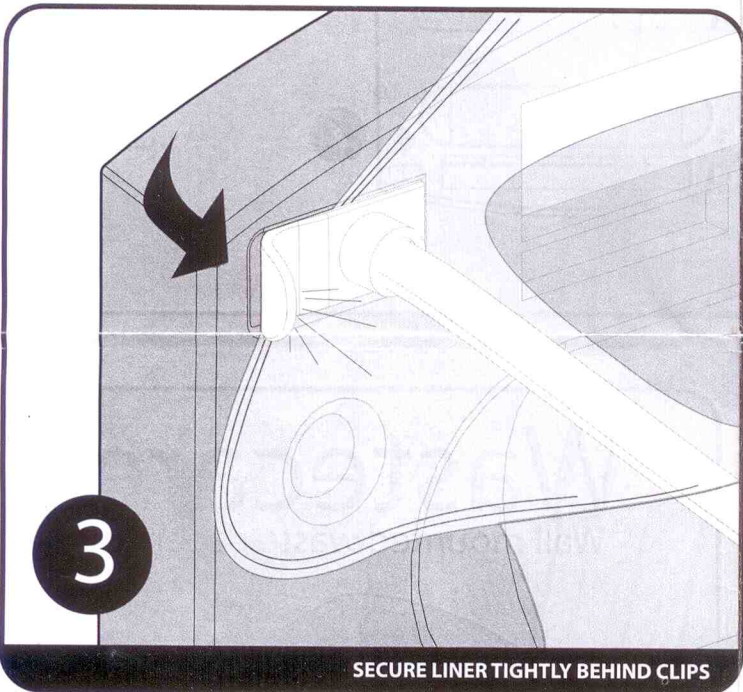
Wall mounted waste paper bin



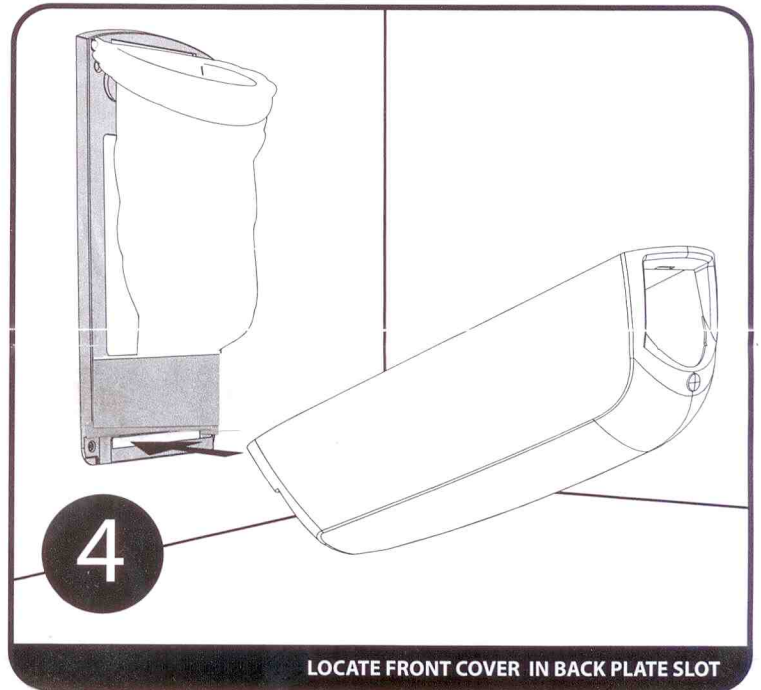
1



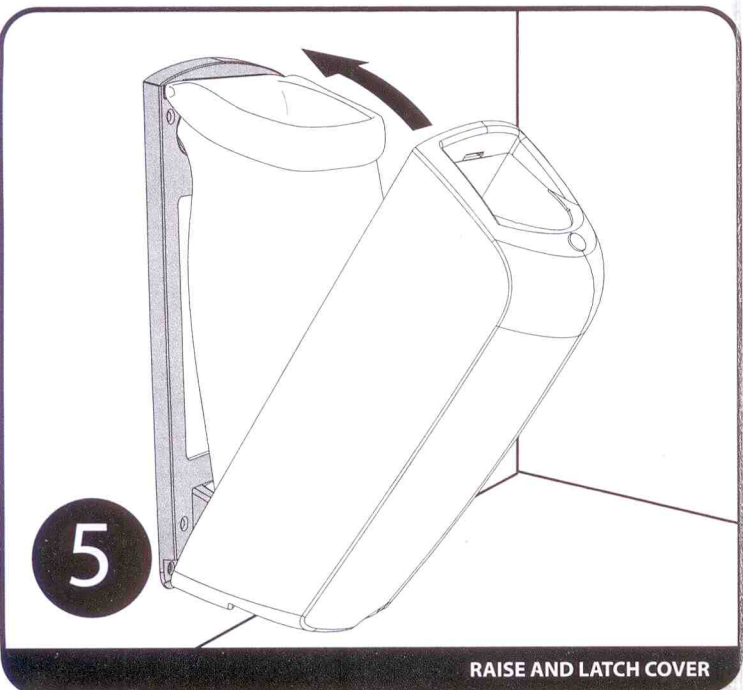
PULL UP LINER & FOLD OVER



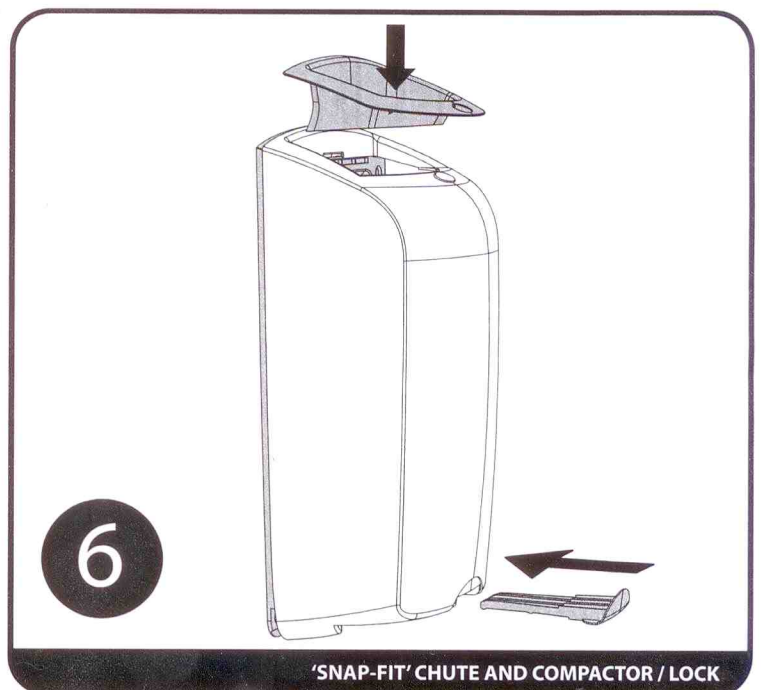
SECURE LINER TIGHTLY BEHIND CLIPS



LOCATE FRONT COVER IN BACK PLATE SLOT



RAISE AND LATCH COVER



'SNAP-FIT' CHUTE AND COMPACTOR / LOCK